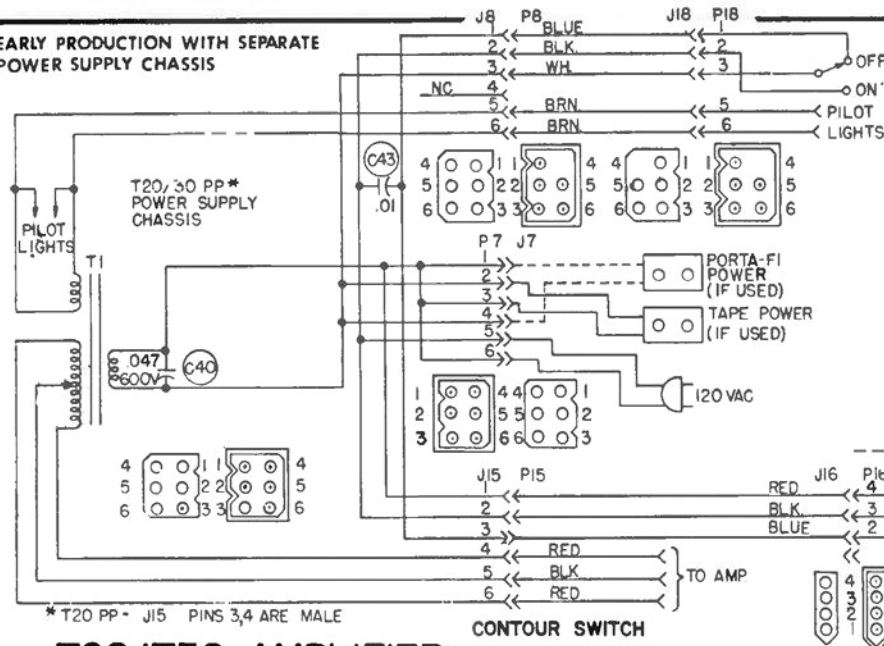


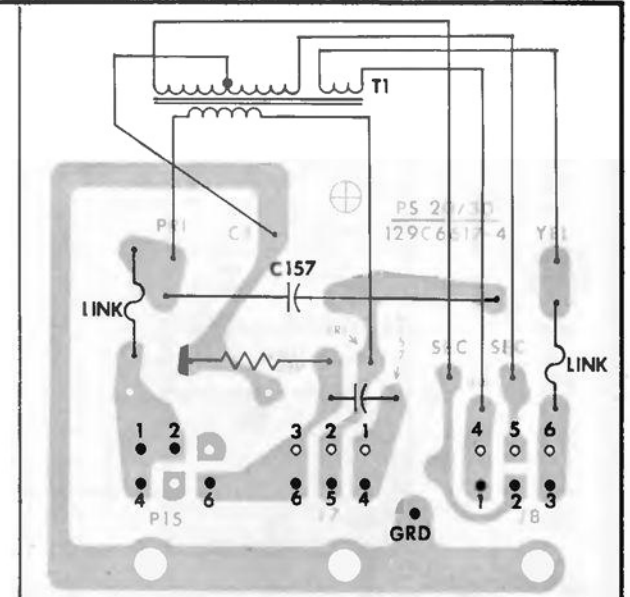
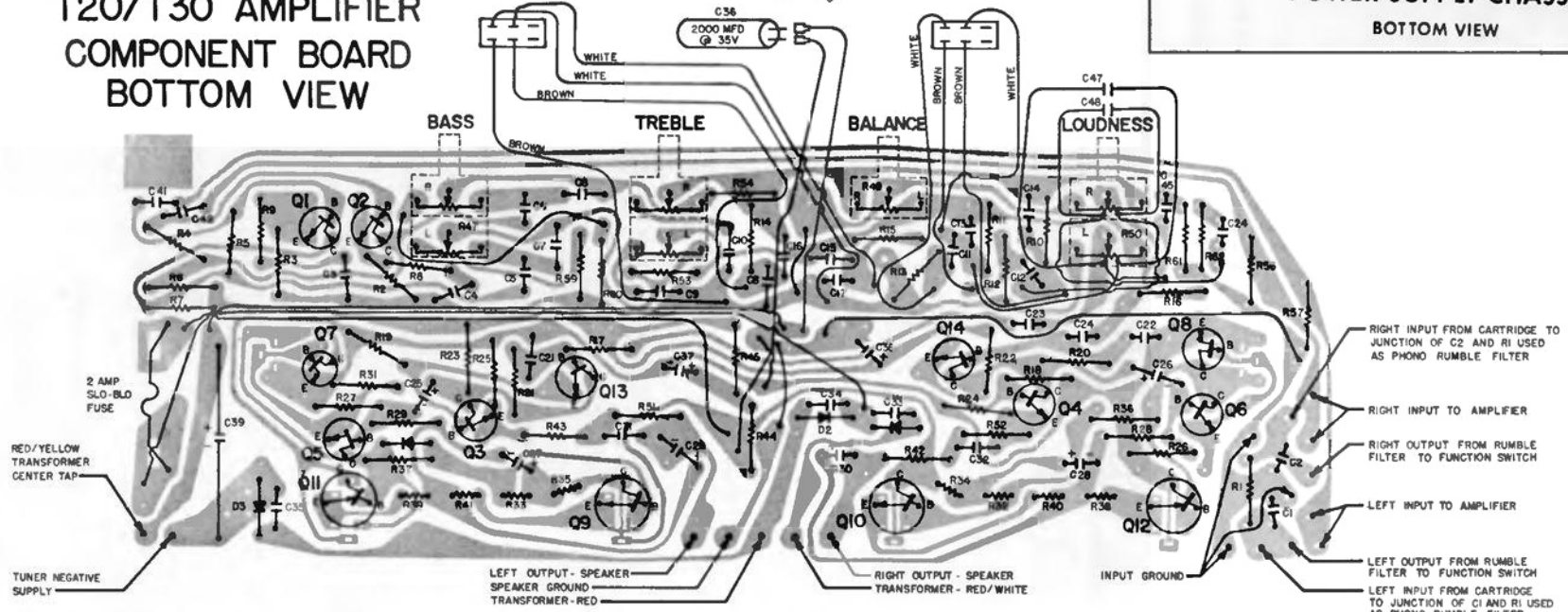


EARLY PRODUCTION WITH SEPARATE  
POWER SUPPLY CHASSIS



\*T20 PP - J15 PINS 3,4 ARE MALE

## T20/T30 AMPLIFIER COMPONENT BOARD BOTTOM VIEW



## POWER SUPPLY CHASSIS BOTTOM VIEW

**GENERAL ELECTRIC**

T20E, F, G; T30G, H Amplifiers